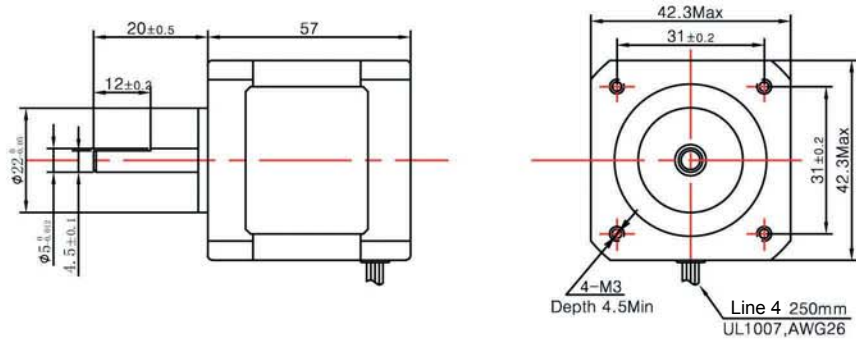


42HS08 V2.0

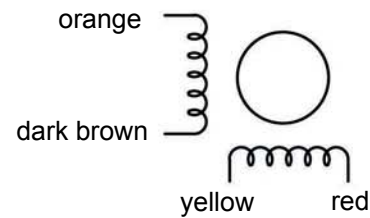
appearance diagram



convention index and parameter specification

Step Angle	1.8°
Angle Accuracy	±5%
Phase	2
Temperature Rise	80K
Rotor inertia	114gf·cm ²
Dielectric Strength	500VAC
Insulation Resistance	100Mohm (500VDC)
Shaft Radial Play	0.03MAX
Insulation level	B
Weight	0.5Kg
Holding Torque	7.1 (kg·cm)
Resistance/phase	2.5 (ohm)
Current/phase	1.5 (A)
Voltage/phase	3.75 (V)
Inductance/phase	6.5 (MH)
Body and cover color	Both body and cover is black
Rotate direction(front)	Clockwise

wiring diagram



		42HS08 V2.0
		Leadshine